
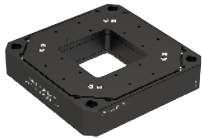
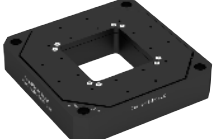
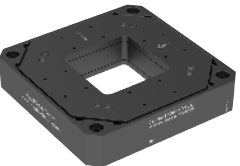
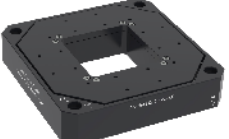


Sheet 3 -Piezo scanner with aperture, Carrier.(H)Sxx Series

	Single-axis X / Z	XY stage- XY	XYZ stage- XYZ	XYZ stage- ZTxTy	XYZ stage- XYRz	
Standard Carrier.S	Carrier.S150.Z.C	 Carrier.S200.xy.C, Carrier.S200.xyz.C		N/A	N/A	Standard Carrier.S
High load.High stability Carrier.HS	 Carrier.HS100.Z.C	 Carrier.HS100.XY.C	N/A	 Carrier.HS100.ZTxTy.C	 Carrier.HS100.XYRz.C	High load.High stability Carrier.HS

Piezoelectric Motion - RT

Piezoelectric Motion - RT

# Piezo·long ranger scanner–Carrier.S200.xy / xyz.C

RT-Piezo scanning motion– long range“Carrier serier”-for precision optics,semiconductor characterization

High speed, Capacitive sensor, High resolution

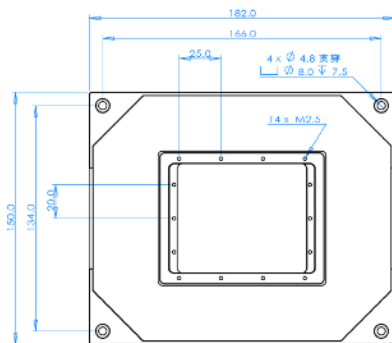


Carrier.S200.xy.C  
Carrier.S200.xyz.C

## Feature

- Travel range in X,Y:200 um × 200 um ;
- Close loop resolution < 2 nm ;
- Max Load 500 g ;
- For microscopy-super resolution solutions.
- Support Options, non-magnetic (.NM) & ultra- high vacuum (.UHV)

## 2D·Drawings



## Carrier.S200.xy /xyz.C – Specification

Optional Versions ⇄	Standard
	.NM, non-magnetic; .UHV, ultra-high vacuum compatible;
1 Direction of movement	Carrier.S200.XY : X, Y direction Carrier.S200.XYZ : X, Y, Z direction
2 Footprint, hight	182 mm × 150 mm × 15 mm
3 Mainbody Materials	Aluminium alloy & Stainless
4 Travel Range	Carrier.S200.xy : 200 um × 200 um Carrier.S200.xyz : 200 um × 200 um × 200 um
5 Effective through-hole size	77 mm × 65 mm
Motion and positioning sensor	
6 Resolution(close loop)	2 nm
7 Repeatability	± 20 nm
8 Linearity Error	0.1%
9 Resonance Frequency	200Hz(X) 150Hz(Y)
10 Max Load	500g
11 Integrated sensor(close loop)	Capacitive
12 Max Operating Voltage	Max. 150 V
Others	
13 Operating temperature range	15 ~40 °C
14 Weight	1 kg
15 Mount	Suitable for Carrier.L7550.XY

Piezoelectric Motion - LT

Piezoelectric Motion - LT