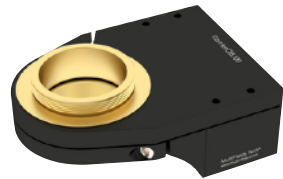


List- Carrier Series

For microscopy, complete set of nanoscale motion solutions.

• Carrier Sereis - Objective adjustment



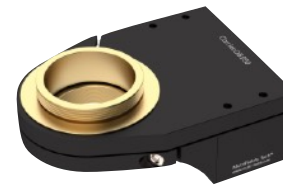
➔ Carrier.OB050.C /S

Z direction, objective scanner for auto focus;
Capacitance/SGS, Settling time (90%), Resolution (close loop) 1 nm, Travel range in Z : 50 um



➔ Carrier.OB100.C /S HL

Z direction, objective scanner for auto focus;
Capacitance/SGS, Settling time (90%) 10 ms, Max Load 500 g, Resolution (close loop) 1 nm, Range 100 um;



➔ Carrier.OB100.C /S

Z direction, objective scanner for auto focus;
Capacitance/SGS, Settling time (90%) 15 ms, Resolution (close loop) 1 nm, Range 100 um;

• Carrier Sereis - The stage: Linear Stage, Rotary Stage and Scanning Stage



➔ Carrier.S200.XY / XYZ

Long ranger scanner: XY/XYZ, 200 um Range;
Capacitive Sensor, Close loop resolution 1 nm; Max Load 500 g;

➔ Carrier.L7550.XY / Carrier.L1010.XY

2D linear stage for microscope: Capacitive Sensor,
Travel range 75 mm x 50 mm, 100 mm x 100 mm, Mini Step Size, ~ 5 nm, Resolution 2nm/1nm; Load 2 kg;



➔ Carrier.R200

Rotator: Capacitive Sensor, ϕ 190 mm, ϕ 60 mm, 20 mm high, Resolution 1 urad;

➔ Carrier.L7550.XY / Carrier.L1010.XY

2D linear stage for microscope: Capacitive Sensor,
Travel range 75 mm x 50 mm, Mini Step Size, ~ 5 nm, Resolution 2nm/1 nm; Load 2 kg;

• Carrier Sereis- All product models

.C ~ Capacitive position sensors
".adv" ~ 4.88 nm, 2.44 nm Optic Encoder
".HV" ~ 1e-7 mbar high-vacuum Version
".UHV" ~ 2e-11 mbar Ultra-high Vacuum Version

"Carrier.OB050" Sereis

- Carrier.OB050.C
- Carrier.OB050.C.HV
- Carrier.OB050.C.UHV

"Carrier.OB100" Sereis

- Carrier.OB100.C
- Carrier.OB100.C.HV
- Carrier.OB100.C.UHV

"Carrier.OB100.HL" Sereis

- Carrier.OB100.C
- Carrier.OB100.C.HV
- Carrier.OB100.C.UHV

"Carrier.S200" Sereis

- Carrier.S200.XY

- Carrier.S200.XY.HV
- Carrier.S200.XYZ
- Carrier.S200.XYZ.HV

"Carrier.L7550.XY" Sereis

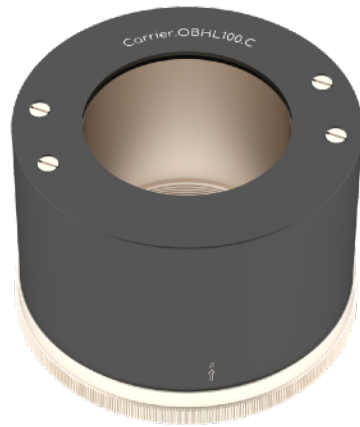
- Carrier.L7550.XY
- Carrier.L7550.XY.HV
- Carrier.L7550.XY.adv
- Carrier.L7550.XY.HV.adv

"Carrier.R200" Sereis

- Carrier.R200
- Carrier.R200.HV

Scanning Motion– Carrier.OBHL100.C

RT-Piezo Motion Solution -“Carrier series” long range carrier -precision optics-Semiconductor characterization

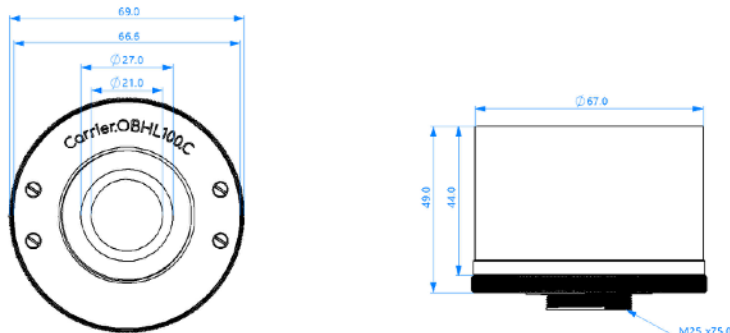


Carrier.OBHL100.C

Feature

- Travel range in Z: 100 µm;
- Settling time (10%): 10ms;
- Close loop resolution < 1 nm;
- Max Load 500 g;
- Motion controller: MC- **Archimedes Series**
- Support Options, non-magnetic (.NM), high vacuum (.HV) & ultra- high vacuum (.UHV)

2D·Drawings



Carrier.OBHL100.C, objective scanner for auto focus – Specification

Optional Versions ⇔		Standard
		.NM, non-magnetic; .HV, high vacuum compatible; .UHV, ultra-high vacuum compatible;
1	Direction of movement	Z direction
2	Range	100 µm
3	Linearity error	0.02%
4	Integrated sensor	Capacitive sensor
5	Resolution (close loop)	0.3 nm
6	Resolution (open loop)	0.1 nm
7	Settling time (90%)	10 ms
8	Resonance Frequency (unloaded)	900 Hz
9	Resonance Frequency (150 gloaded)	500 Hz
10	Weight	500 g
11	Mainbody Materials	Stainless steel 304, Aluminium alloy

Piezoelectric Motion - RT

Piezoelectric Motion - RT