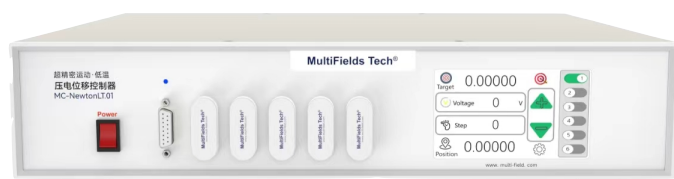


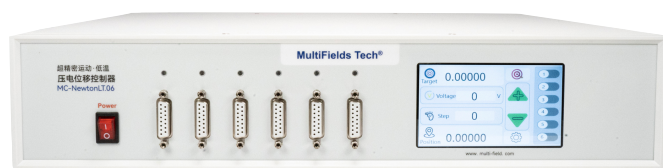
Motion Controller – MC - NewtonLT.01/06

Low Temperature · Piezoelectric Motion Controller

6-channels closed-loop controller designed for low temperature piezoelectric motion units



MC - NewtonLT.01

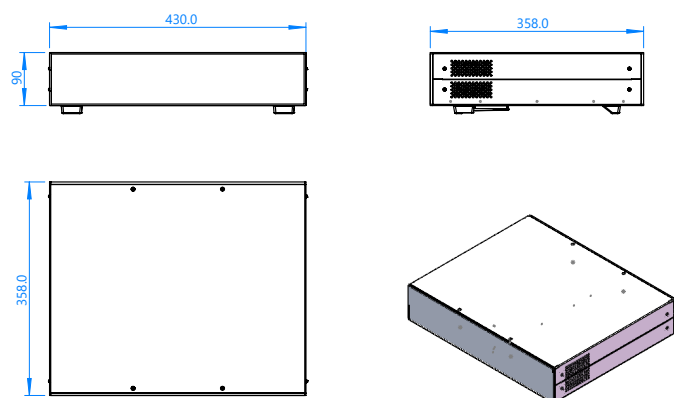


MC - NewtonLT.06

Features

- Support FINE TUNE function

Dimension drawing



MC - NewtonLT.01/06, Specification

*All data below is measured with 50 ohm wires. Though there is no requirement on wires' conductance, we recommend resistance below 50 ohm.

Optional Versions ⇨	MC - NewtonLT.01	MC - NewtonLT.06
1 Compatible positioner	Linear, Rotator, Goniometer & LS-Linear Series	
2 Control mode	All channels closed-loop control	
3 Size	19" / 3U	
4 Work voltage & power	220 VAC & 60 W	
5 Remote	USB & TCP/IP	
6 Output channels	1 channel	6 channels
7 Max output voltage	-200 V ~ +200 V	
8 Drive frequency range	1 ~ 10 kHz	
9 Power for 1 channel	Max. 40 W	
10 Slew rate	2 kV/us	
11 GND in drive output	1 channels independent GND	6 channels independent GND
12 Encoder	Resistive encoder	
13 Sensor output voltage	DC 2.5 V	
14 Resolution of read voltage	50 μ V (18-bit)	
15 Connectors	1 channel	6 channels
16 Input resistance	10 kOhm	
17 GND in sensor readout	1 channel independent GND	6 channels independent GND
18 Electrical connector	D-sub 15 for each channel	

Motion Controller - ArchimedesLT.03

Low Temperature · Piezoelectric Motion Controller

3-channels controller designed for low temperature piezoelectric scanning motion units

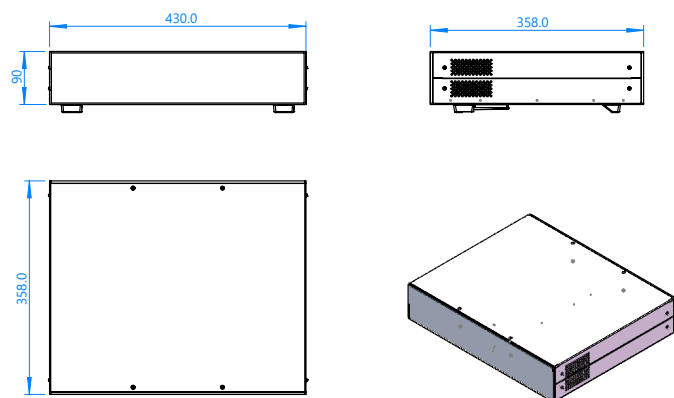


MC - ArchimedesLT.03

Features

- 3-Channels scanning motion control output
- Compatible with all low temperature Scanning Stages of MultiFields
- LabVIEW Sub VI control program is provided to support users' independent use
- USB / GPIB computer remote control

Dimension drawing



ArchimedesLT.03, Specification

	Optional Versions ⇄	ArchimedesLT.03
1	Compatible positioner	Scanning Stages
2	Size	19" / 3U
3	Work voltage & power	220 VAC & 60 W
4	Remote	USB & TCP/IP
5	Output channels	3 channels
6	Max output voltage	-150 V ~ +150 V
7	Drive frequency range	Max. 1kHz
8	Connectors	3 channels, BNC
9	Input resistance	10 kOhm
10	Compatible Scanners	Scanner16-xy, Scanner16-z, Scanner25-xy, Scanner25-z, Scanner35-xy, Scanner35-z